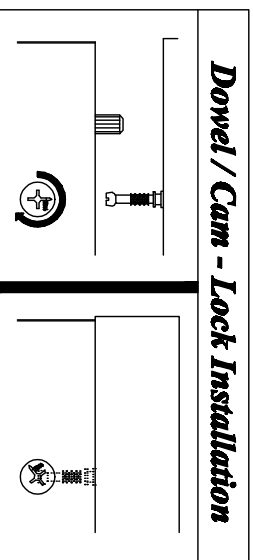
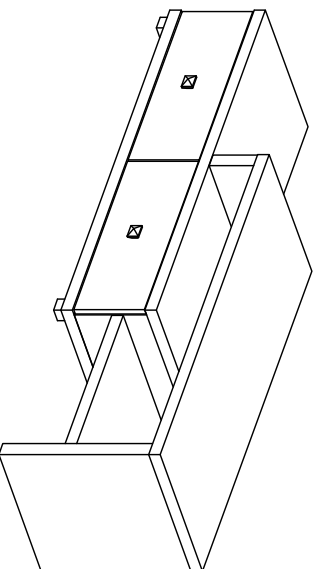


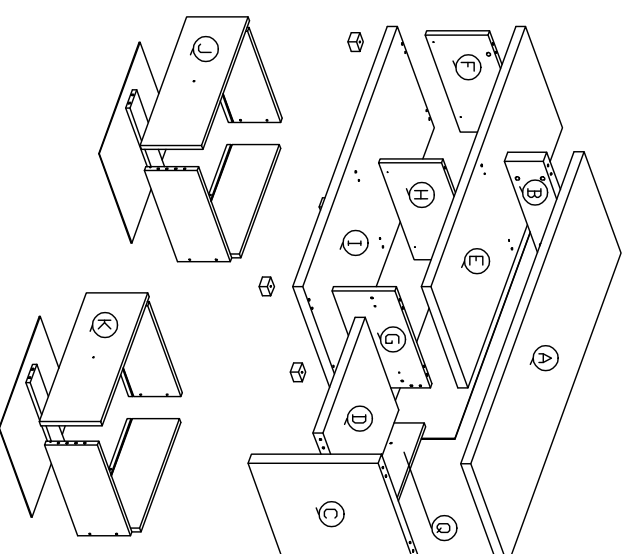
# Assembly Instruction

**Model : V - 2DWTV**

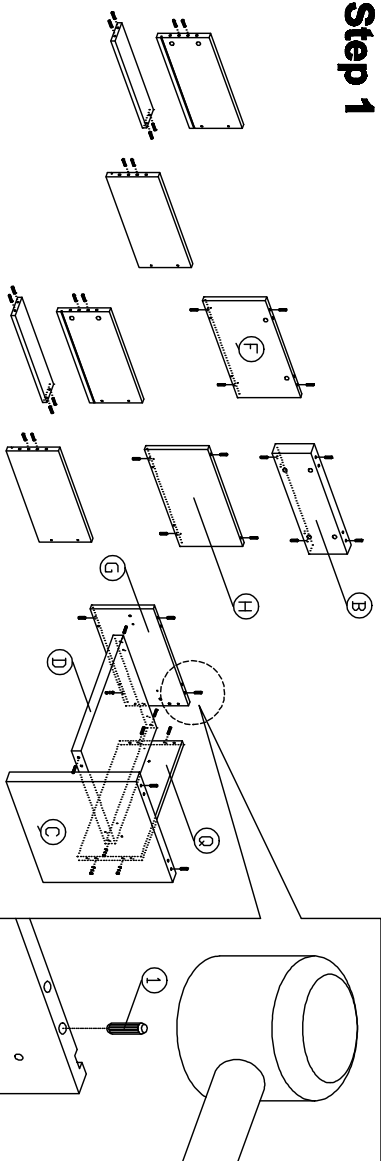


Hardware List			
No.	SHAPE	DESCRIPTION	Qty.
1		8x25mm Dowel	42Pcs
2		15MM Mini Fix	24Sets
3		M3.5x12mm Screw	16Pcs
4		M4x38mm Screw	8Pcs
5		FH M5x38mm Screw	9Pcs
6		M4x50mm Screw	6Pcs
7		Nail	16Pcs
8		Handle ( 9946 )	2Sets
9		Drawer Slide (350mm)	2Sets
10		Sticker	5Pcs
11		15MM Mini Fix Cap	6Pcs

## Part List



### Step 1



### Step 2

